

# PMC OW 800

## Cup & Container Overwrap Machine

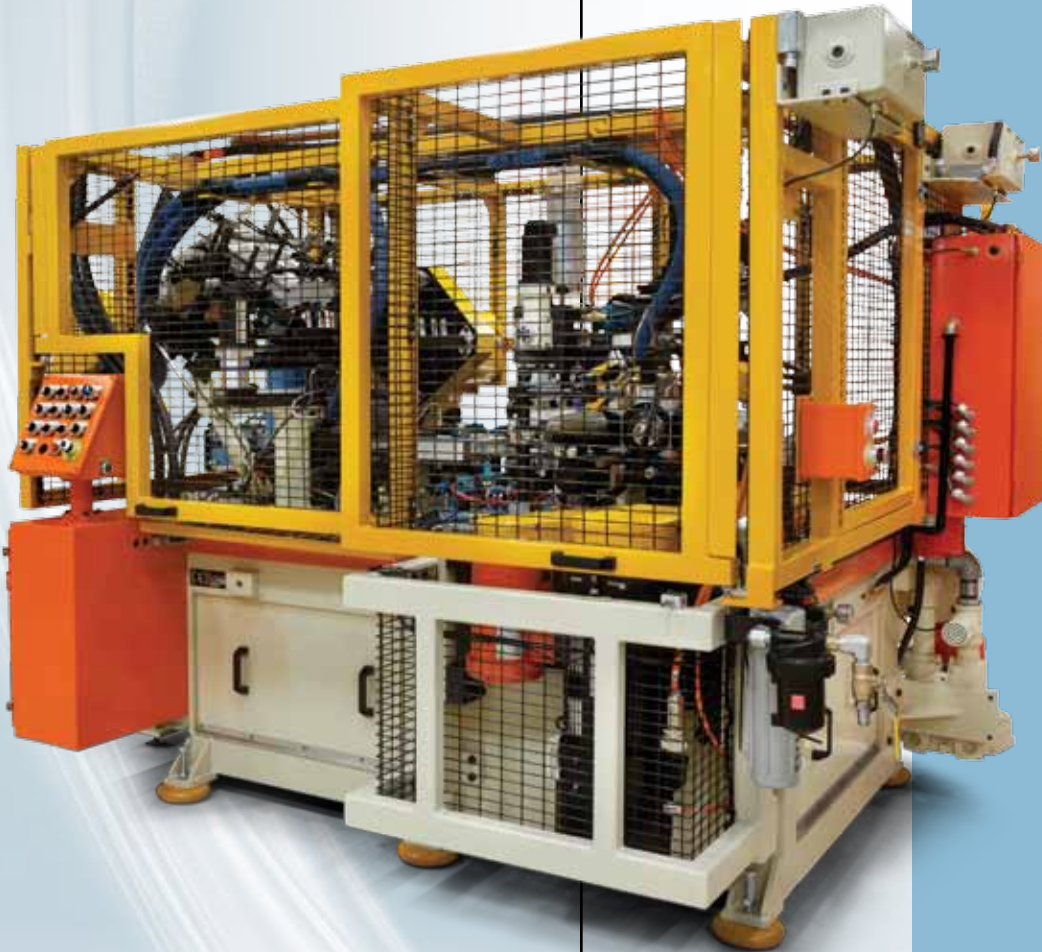
The PMC OW 800 wraps and seals pre-printed blanks around cups and containers for increased strength, insulation, and branding.

This innovative line of machines offers configurations for wrapping label stock, micro flute or embossed materials around paperboard and plastic containers. Tooling is available for wrapping round or non-round containers.

The PMC OW 800 offers hot melt, cold glue or FHA sealing options and can accommodate roll feed, blank feed or dual in-feed for insulating layers or decorative wraps.

Wraps containers at speeds up to 165 CPM.

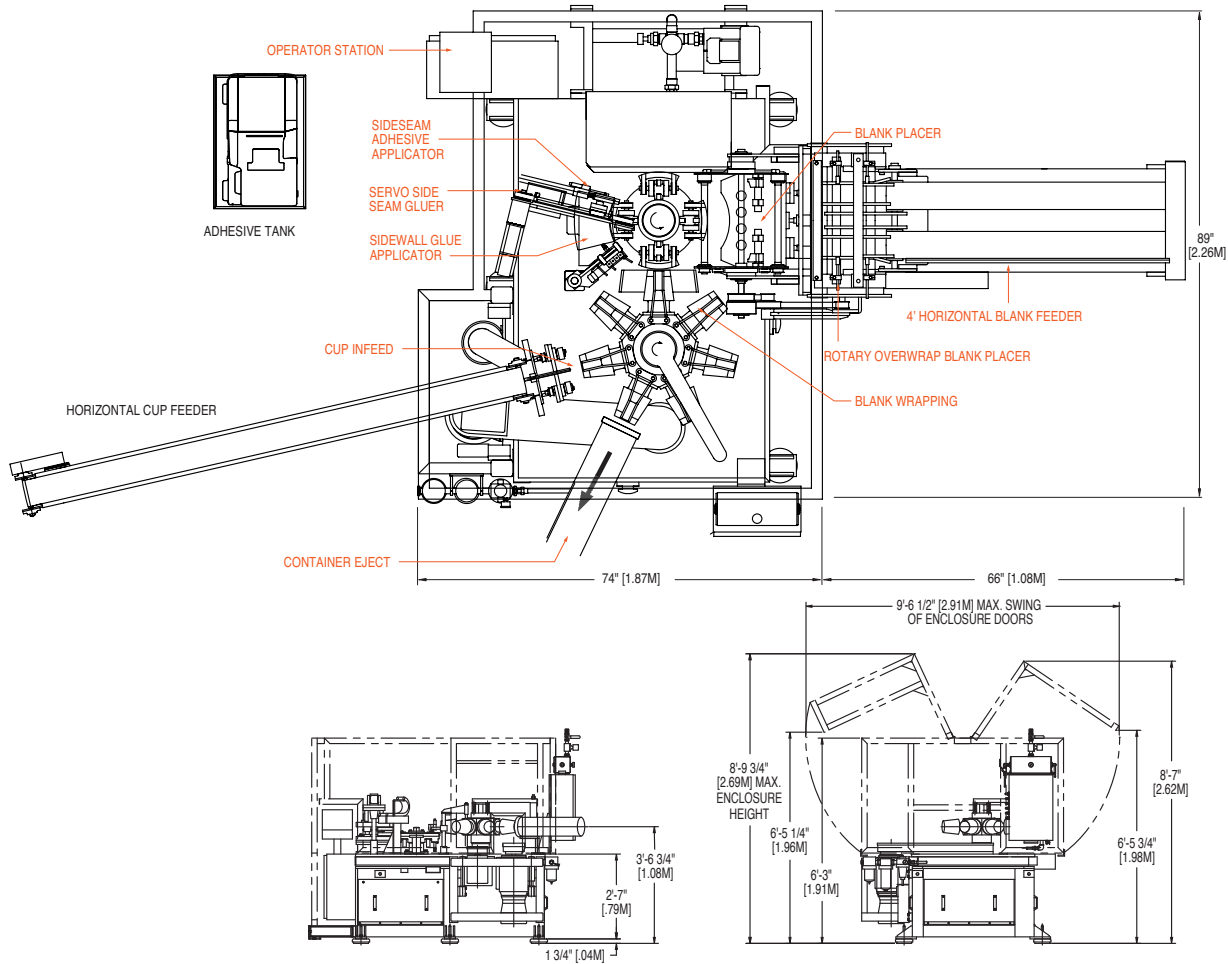
Wraps containers ranging from 2.5 oz. to 46 oz. depending upon configuration.



**Paper Machinery Corporation**

*Forming innovation since 1951.*

# PMC OW 800 Overwrapping Machine



## PMC OW 800 Machine Specifications

### Materials

Paperboard or plastic base containers can be wrapped. Paperboard wrap can be virgin or recycled paperboard, embossed or microflute materials in blank or web form.

### Approximate Machine Weight

Base Machine	9,000 lbs. approx.
Electrical Cabinet	1,000 lbs. approx.
	10,000 lbs. approx.

### Size Range

Wraps 2.5 oz. (75 ml) to 46 oz. (1350 ml) paperboard or plastic cups and containers.

### Service Requirements

Electrical	Compressed Air*	Machine Vacuum*	Add Vacuum* for Blank Feeder
55 kVA 3PH @ 50 or 60 HZ	65 ft <sup>3</sup> /min @ 80 lb/inch <sup>2</sup> or 0.031m <sup>3</sup> /sec @ 5.6 kg/cm <sup>2</sup>	15 ft <sup>3</sup> /min @ 18 inches Hg or 0.007 m <sup>3</sup> /sec @ 0.62 kg/cm <sup>2</sup>	75 ft <sup>3</sup> /min @ 18 inches Hg or 35 m <sup>3</sup> /sec @ 0.62 kg/cm <sup>2</sup>

\*Volume flow rates listed are flow rates at standard conditions, 1.0 atmosphere and 68° F.  
Exact service requirements are dependent upon customer specifications.

11-9-2012



**Paper Machinery Corporation**

8900 West Bradley Road  
Milwaukee, WI 53224 USA

414-354-8050 | [www.papermc.com](http://www.papermc.com)