

SERVICE BULLETIN

PAPER MACHINERY CORPORATION

address 8900 WEST BRADLEY ROAD MILWAUKEE, WI 53224-2822 · mailing P.O. BOX 240100 MILWAUKEE, WI 53224-9005
 telephone 414-354-8050 · main FAX 414-354-8614 · service FAX 414-354-1710 · website WWW.PAPERMC.COM

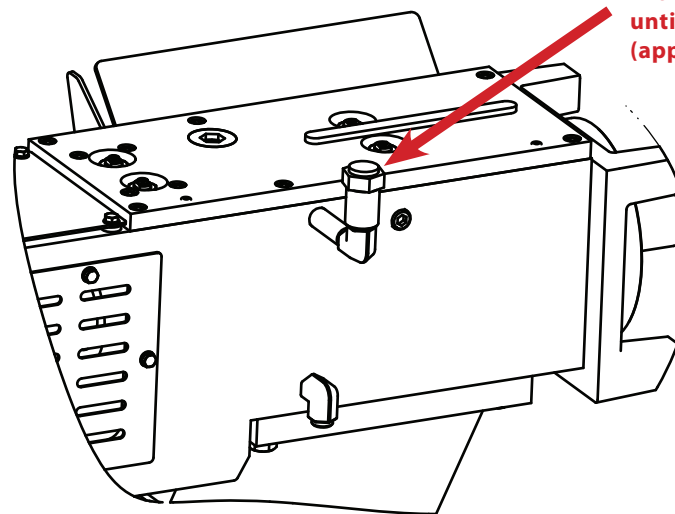
BOTTOM MAKER

No. 244.1

OIL LEVEL PMC-2000S

The bottom maker on the PMC-2000S machine needs to have the oil level checked regularly. The vent hole on the side, as shown in the image can be removed and oil added as directed.

Please have your maintenance crew check and fill this unit regularly.



Remove and fill front compartment with an EP-220 grade of lube oil until fluid begins to exit plug hole (approximately 900ml).

CONTACT

Parts orders and customer communication can be made using telephone, FAX, or e-mail. See below. Contact can also be made using the *main* telephone switchboard at 414-354-8050 or FAX number 414-354-8614. Sending a FAX *directly* to the Service Department, at 414-354-1710, will convey a faster response. If using e-mail and no response is made within 3 working days, please contact via phone or FAX.

MIKE FERGUSON
 TECHNICAL SERVICE
 & TRAINING
 414-362-8228
 mferguson@papermc.com

STEVE EVANS
 SERVICE
 COORDINATOR
 414-362-8271
 sevans@papermc.com

VICKY ALCARAZ
 SUPPORT COORDINATOR
 & EXPEDITER
 414-362-8263
 valcaraz@papermc.com

JESSICA MOJICA
 PARTS SERVICE
 414-362-8227
 jmojica@papermc.com

DANIELLE TRUE
 PARTS SERVICE
 414-362-8260
 dtrue@papermc.com

Please make sure to carbon copy (CC) Jessica Mojica and Danielle True in *all* e-mails containing parts orders, and carbon copy (CC) *both* Mike Ferguson and Steve Evans in *all* other e-mails.