

# SERVICE BULLETIN

## PAPER MACHINERY CORPORATION

ADDRESS 8900 West Bradley Road Milwaukee, WI 53224-2822 · MAILING P.O. Box 240100 Milwaukee, WI 53224-9005  
TELEPHONE 414-354-8050 · MAIN FAX 414-354-8614 · SERVICE FAX 414-354-1710 · WEBSITE [www.papermc.com](http://www.papermc.com)

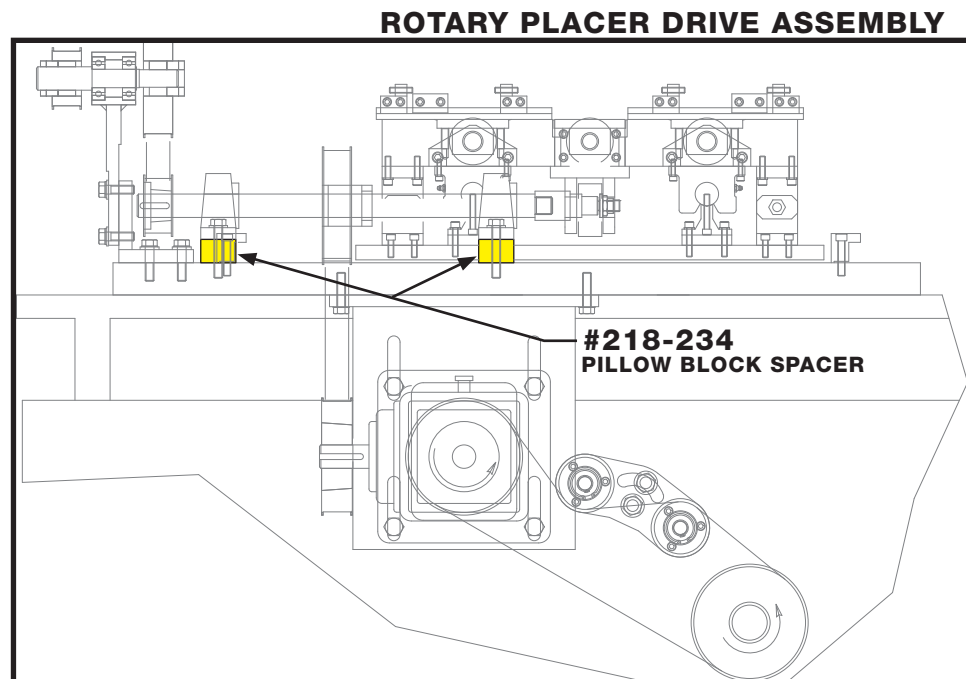
090601

PILLOW BLOCK SPACERS

No. 219.1

### ROTARY PLACER DRIVE ASSEMBLY PMC-1000 | PMC-1250 | OW-800 BLANK FEED MACHINES

Paper Machinery Corporation has developed a standardized height spacer for the Pillow Block Bearings on the Rotary Placer Drive Assembly. At 1.63" of height, the standard Pillow Block Spacers (#218-234) will replace the tooling spacers, which no longer will be supplied.



## CONTACT

Parts orders and customer communication can be made using telephone, FAX, or e-mail. See below. Contact can also be made using the **main** telephone switchboard at 414-354-8050 or FAX number 414-354-8614. Sending a FAX **directly** to the Service Department, at 414-354-1710, will convey a faster response. If using e-mail and no response is made within 3 working days, please contact via phone or FAX.

### MIKE FERGUSON

TECHNICAL SERVICE  
& TRAINING  
414-362-8228  
[mferguson@papermc.com](mailto:mferguson@papermc.com)

### BILL PAPLHAM

TECHNICAL SERVICE  
& SERVICE TRIPS  
414-362-8271  
[bpaplh@papermc.com](mailto:bpaplh@papermc.com)

### LARRY SPENCER

ELECTRICAL APPLICATIONS  
SERVICE ENGINEER  
414-362-8232  
[lspencer@papermc.com](mailto:lspencer@papermc.com)

### VICKY ALCARAZ

PARTS SERVICE  
414-362-8263  
[valcaraz@papermc.com](mailto:valcaraz@papermc.com)

### JESSICA MOJICA

PARTS SERVICE  
414-362-8227  
[jmojica@papermc.com](mailto:jmojica@papermc.com)

### HOLLY WARNER

PARTS SERVICE  
414-362-8259  
[hwarn@papermc.com](mailto:hwarn@papermc.com)

Please make sure to carbon copy (CC) Holly Warner, Vicky Alcaraz and Jessica Mojica in **all** e-mails containing parts orders, and carbon copy (CC) **both** Mike Ferguson and Bill Paplham in **all** other e-mails.