

# SERVICE BULLETIN

## PAPER MACHINERY CORPORATION

address 8900 WEST BRADLEY ROAD MILWAUKEE, WI 53224-2822 · mailing P.O. BOX 240100 MILWAUKEE, WI 53224-9005  
 telephone 414-354-8050 · main FAX 414-354-8614 · service FAX 414-354-1710 · website WWW.PAPERMC.COM

180423

NEW TRANSFER TURRET

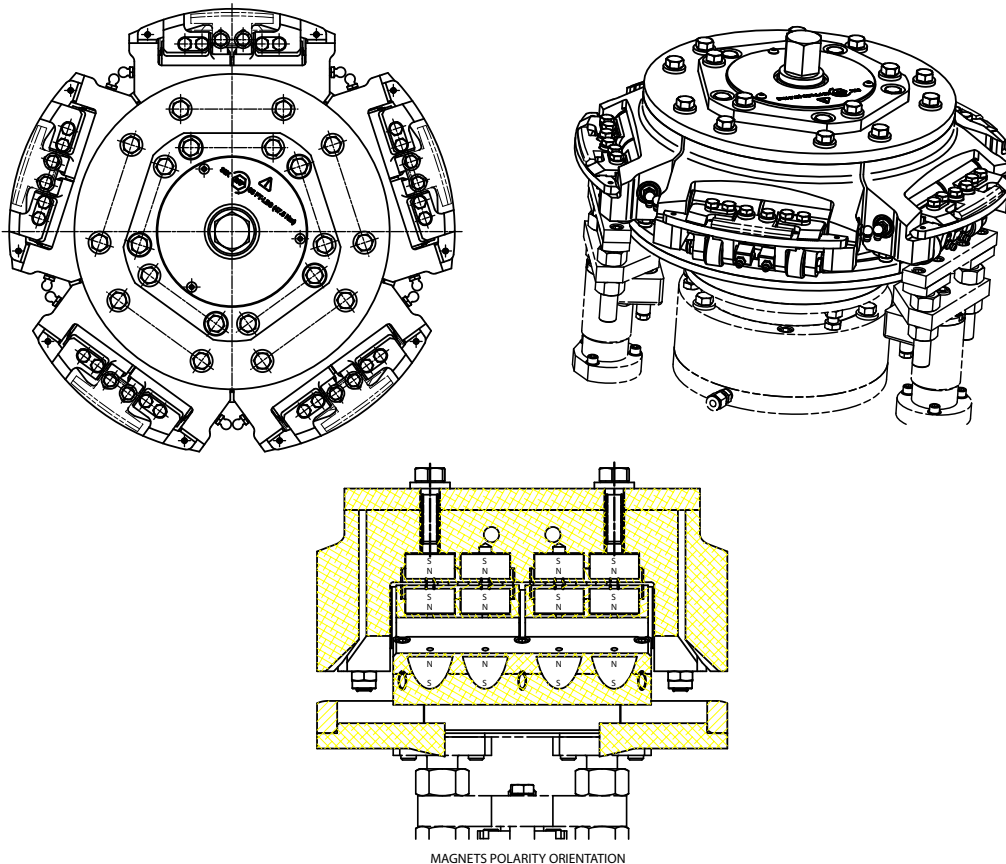
No. 256.1

### PMC-1002

Paper Machinery Corporation is pleased to announce a new, fully magnetic, Transfer Turret for the PMC-1002 machine.

The 1002 model magnetic Transfer Turret is an adaptation of the current design incorporated on our 1003 model. The PMC-1003 model has a proven history of trouble free operation, and low maintenance.

This retrofit can be ordered through PMC's Service Department under assembly numbers 8001567 and 8001569. See Service Instruction 121.1 for installation.



Parts orders and customer communication can be made using telephone, FAX, or e-mail. Direct contact can also be made using the main telephone switchboard at 414-354-8050 or FAX number 414-354-1710; directly to the Service Department. If using e-mail, please see Customer Service Contacts under "Support" at the PMC website ([www.papermc.com](http://www.papermc.com)).